

MANUAL LINE

MANUAL SHEET-TO-SHEET LAMINATING/MOUNTING MACHINE

LOW SPEED
Manual laminating



EDGE TO EDGE
Manual edge to edge registration

LOW CAPACITY
Manual loading area



MANUAL FEEDER
Manual picking for top and bottom sheets

MANUAL LINE

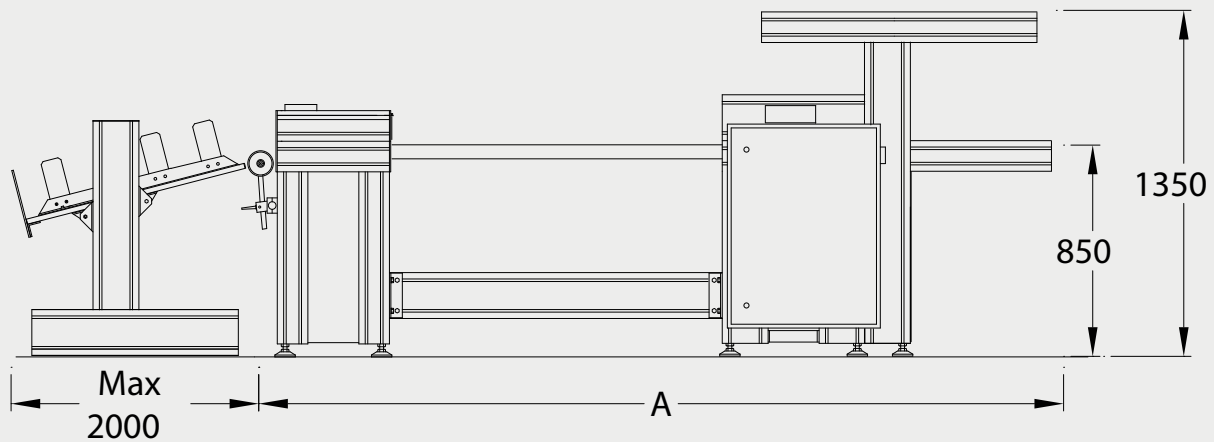
The Lamina Manual Line is a low cost investment to enter into the laminating/mounting business. The bottom sheet is manually fed into the machine and a second operator applies the top sheet after the glue application. The registration is achieved by using adjustable side lays and then fed into pressure rollers for a high quality surface. The Lamina Manual Line is a very compact machine. The construction of the machine allows future upgrades using the existing high quality precision glue unit. The set-up is extremely quick and it is possible to run two bottom sheets at the same time depending on the size of the material.

The machine can be equipped with options such as Pressure Belt, Down Stacker etc. whenever required.



← More info and video





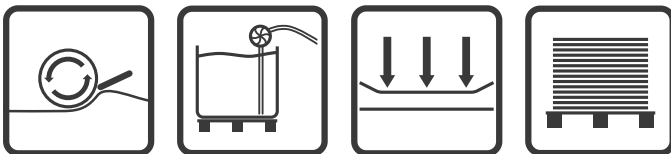
MANUAL LINE

MANUAL SHEET-TO-SHEET LAMINATING/MOUNTING MACHINE

Size Range	Maximum Sheet Size		Machine Size		
	Model	Width	Length	Width	Length A
1116 ML	1100 mm (43")	1600 mm (63")	2050 mm (81")	4000 mm (157")	1150 kg (2530 lbs)
1416 ML	1400 mm (55")	1600 mm (63")	2350 mm (92")	4000 mm (157")	1250 kg (2750 lbs)
1420 ML	1400 mm (55")	2000 mm (79")	2350 mm (92")	4400 mm (173")	1275 kg (2810 lbs)
1620 ML	1600 mm (63")	2000 mm (79")	2550 mm (100")	4400 mm (173")	1350 kg (2970 lbs)

Minimum Sheet Width	200 mm (8")
Minimum Sheet Length	500 mm (20")
Top Sheet	Max 10 mm finished product
Bottom Sheet	250 g/m ² - 10 mm, corrugated from 0,6 - 10 mm
Total Installed Power	5,0 kW
Electrics	208 V, 3 phase, 60 cycle; or 400 V, 3 phase, neutral, 50/60 cycle; or Specified
Air Requirements	6 bar; 80 psi; 34 CFM, Approximately 200 L/min

OPTIONS



← More info and video

