

FASLINE EDGE

FULLY AUTOMATIC HIGH SPEED LAMINATING / MOUNTING MACHINE

ADJUSTABLE OVERLAP

Set overlap with the press of a button



ON-THE-FLY OR EDGE-TO-EDGE

Consistant registration accuracy up to 0,2mm

HIGH CAPACITY

1600mm Top feeder - Non-stop bottom feeder



AUTOMATIC FEEDER

Suction cup picker for top and non-stop belt for bottom

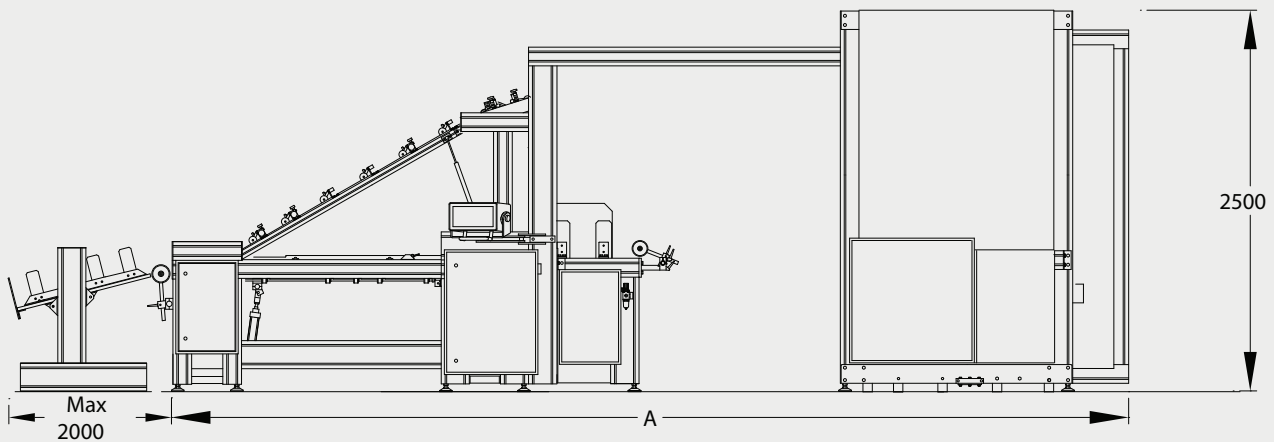
FASLINE EDGE

The Lamina FASLINE EDGE is a fully automatic high speed sheet-to-sheet laminating/mounting machine. The machine is equipped with both the Lamina Edge-to-Edge register for high precision registration and the all-new Lamina on-the-fly register for continuous, non-stop registration with adjustable overlap by the press of a button. The machine has a high capacity rear edge top feeder that allows for loading pallets directly in to the unit for short stops due reloading. Bottom sheets are fed in to the machine by using a servo controlled non-stop belt feeder. The feeder is equipped with a heavy duty vacuum system to assure for reliable feeding of a various of materials.



← More info and video





FASLINE EDGE

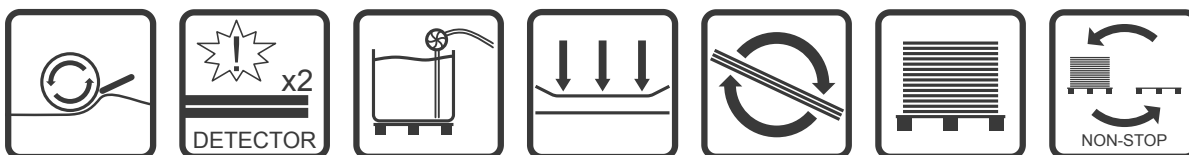
FULLY AUTOMATIC HIGH SPEED LAMINATING / MOUNTING MACHINE

Size Range	Maximum Sheet Size		Machine Size		
	Model	Width	Length	Width	Length A
1116 FL E	1100 mm (43")	1600 mm (63")	2150 mm (85")	6800 mm (267")	2500 kg (5510 lbs)
1416 FL E	1400 mm (55")	1600 mm (63")	2450 mm (97")	6800 mm (267")	2700 kg (5950 lbs)
1420 FL E	1400 mm (55")	2000 mm (79")	2450 mm (97")	8000 mm (314")	2800 kg (6170 lbs)
1620 FL E	1600 mm (63")	2000 mm (79")	2650 mm (104")	8000 mm (314")	3000 kg (6610 lbs)

Minimum Sheet Width	400 mm (16")
Minimum Sheet Length	400 mm (16")
Feeder Capacity	Top feeder: 1600 mm (63") Bottom feeder: Non-stop
Top Sheet	150 to 450 g/m ² 1 pts = 28,25 g/m ²
Bottom Sheet	Thickness: 0,6 to 10 mm (0.016" to 0.39")
Registration Accuracy*	Up to 0,2mm (0,008")
Total Installed Power	7,0 kW
Electrics	208 V, 3 phase, 60 cycle; or 400 V, 3 phase, neutral, 50/60 cycle; or Specified
Air Requirements	6 bar; 80 psi; 34 CFM, Approximately 1000 L/min

* Depends on properties of materials being used and existing operating conditions.

OPTIONS



← More info and video

