

BASIC

SEMI-AUTOMATIC SHEET-TO-SHEET LAMINATING/MOUNTING MACHINE

LOW SPEED

Up to 1500 sheets/hour



EDGE TO EDGE

Consistant registration accuracy up to 0,2mm

LOW CAPACITY

Manual Top feeder - Non-stop Bottom feeder



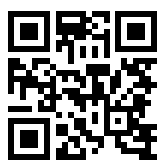
SEMI-AUTOMATIC FEEDER

Manual top and non-stop belt for bottom

BASIC

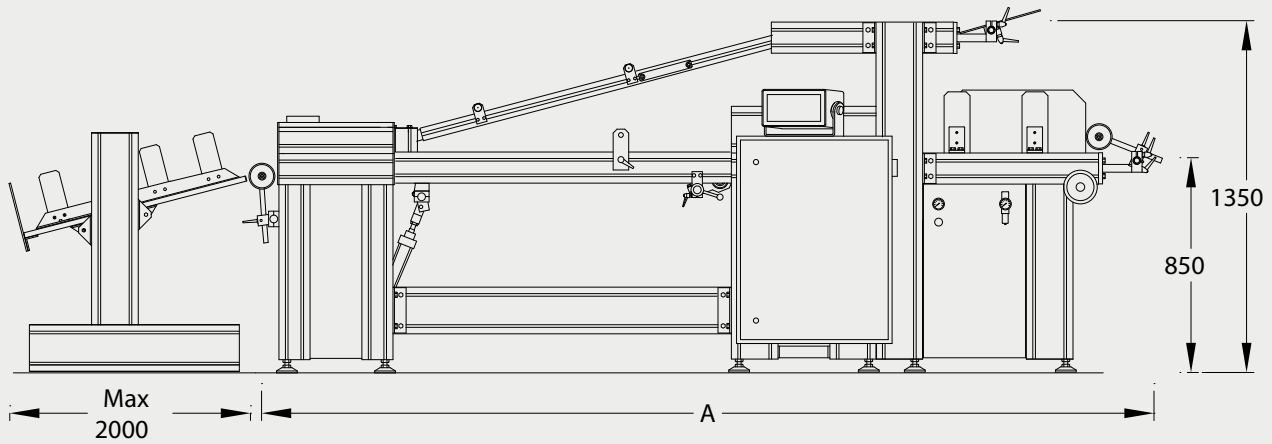
The Lamina semi-automatic Basic is a sheet-to-sheet laminating/mounting machine. It is an entry level machine that can expand your finishing business for a low investment.

A wide range of ancillary equipment is available to optimise the efficiency of your machine including Automatic Feeders, Stackers, Pressure Belt, Flip-Flop, Pre-Loading Station etc.



← More info and video





BASIC

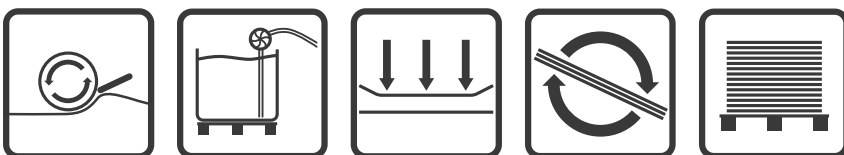
SEMI-AUTOMATIC SHEET-TO-SHEET LAMINATING/MOUNTING MACHINE

Size Range Model	Maximum Sheet Size		Machine Size		
	Width	Length	Width	Length A	Weight
1116 BASIC	1100 mm (43")	1600 mm (63")	2050 mm (81")	4000 mm (157")	1510 kg (3330 lbs)
1416 BASIC	1400 mm (55")	1600 mm (63")	2350 mm (92")	4000 mm (157")	1610 kg (3550 lbs)
1420 BASIC	1400 mm (55")	2000 mm (79")	2350 mm (92")	4400 mm (173")	1660 kg (3660 lbs)
1620 BASIC	1600 mm (63")	2000 mm (79")	2550 mm (100")	4400 mm (173")	1810 kg (3990 lbs)

Minimum Sheet Width	350 mm (13¾")
Minimum Sheet Length	500 mm (20")
Top Sheet	130 to 450 g/m ² 1 pts = 28,25 g/m ²
Bottom Sheet	Thickness: 0,6 to 10 mm (0,016" to 0,39")
Registration Accuracy*	Up to 0,2mm (0,008")
Total Installed Power	5,0 kW
Electrics	208 V, 3 phase, 60 cycle; or 400 V, 3 phase, neutral, 50/60 cycle; or Specified
Air Requirements	6 bar; 80 psi; 34 CFM, Approximately 500 L/min

* Depends on properties of materials being used and existing operating conditions.

OPTIONS



← More info and video

